

WAVE Bin

Highlights

- Designed to be light, making every task easier and more efficient.
- Engineering combined with design: 100% reinforced bin; reinforced body, bin base, and lid base.
- Effortless cleaning: Drain hole for quick cleaning.
- A product with an extraordinary design, recognized in the top two most prestigious design competitions in the world.
- Designed with the planet in mind: Fully recyclable materials.
- Dedicated RFID slot for digital waste management.



Dimensions

- Width 486 mm
- Depth 600 mm
- Height 914 mm
- Empty weight ~7,5 kg
- Volume 120 L

Materials

BIN
High-density polyethylene HDPE
(100% recyclable). UV resistant.

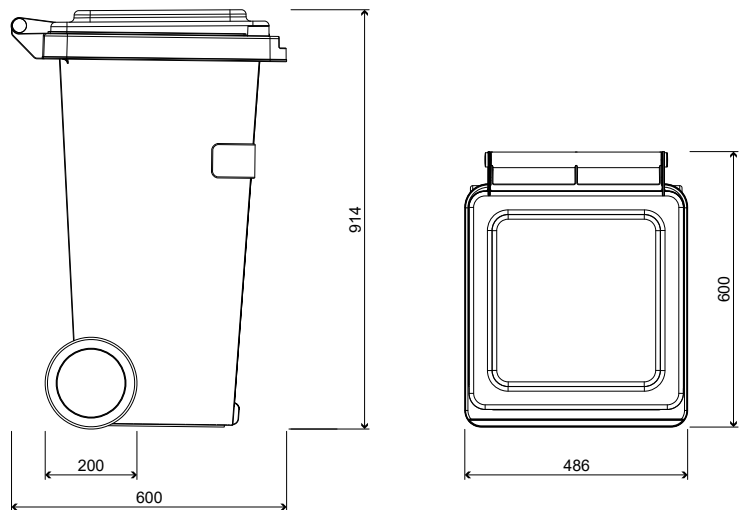
WHEELS
High-density polyethylene HDPE and rubber.
Corrosion free steel axle.

Accessories

Add-on side label, that allows the user to enter their personal details.

Options

Available with or without drain hole and plug.



Colors

Available in custom colors or a combination of the current color options.

*Please note that the colours are indicative.



Yellow



Green



Blue



Red



Brown



Grey



Black



Clear

Design and production

Made in Romania

Certificates

EN 840-1, ISO 9001:2015, ISO 14001:2015, AE, CE

Warranty

3 years

Protected



Awards



Chicago, 2024



reddot winner
Singapore, 2024

